
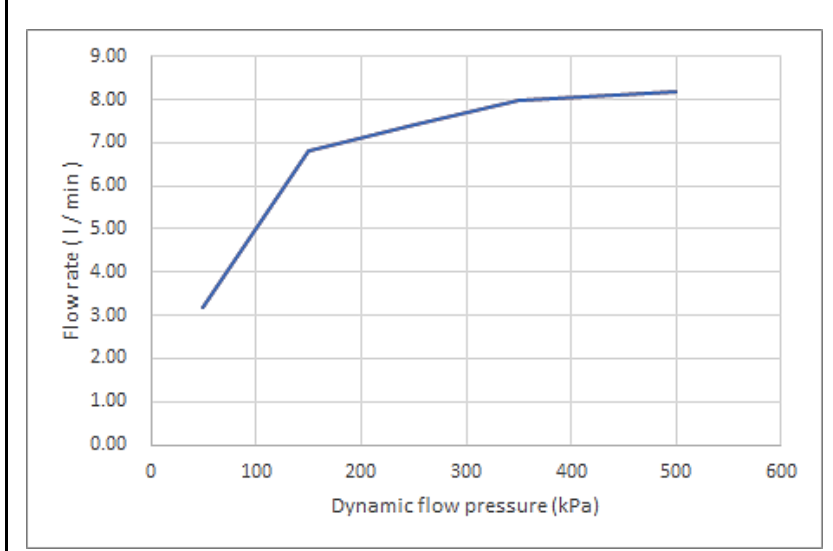




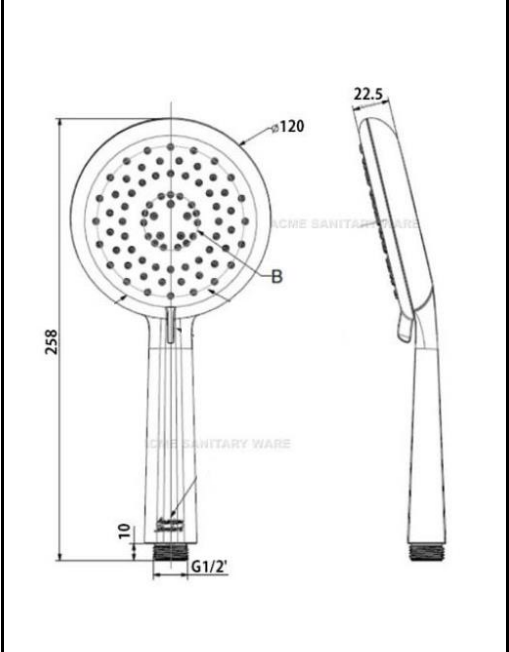
PROJECT		REF		REV	ITEM CODE	
LOCATION		DATE			PAGE	

SANITARY WARE SPECIFICATION SHEET

Item Descriptions	American Standard (PRC) "Moon Shadow" 3 functions Hand spray head; nominated flow rate 7.4 L/min in WELS Grade 1; Registration No. SB 18-0145	Illustration/ Drawing 
Dimensions	L22 x W120 x H258 mm	
Model	CF-9018.001.50	
Finish	Chrome Plated	
Manufacturer	American Standard (PRC)	
Source	Acme Sanitary Ware Co. Ltd Mr. Eric Wong/ Mr. Don Yuen	
Contact Tel/Fax	(852) 2388-7171 / (852) 2710-8012	
E-mail	acme@acmesanitary.com.hk	
Website	www.acmesanitary.com.hk	



Dynamic flow pressure (kPa)	50	150	250	350	500
Flow rate (l/min)	3.20	6.83	7.43	7.98	8.20



Note:

* All information of the above is for the reference only. No prior notice is made if any changes.

註冊號碼 (Registration No.): SB 18-0145




自願參與用水效益標籤計劃 - 沐浴花灑
Voluntary Water Efficiency Labelling Scheme - Showers for Bathing



茲證明
This is to certify that

將下列花灑在本計劃內註冊：
has registered the following shower under this scheme :

牌子 / Brand	:	American Standard
型號 / Model	:	CF-9018.001.50
原產地 / Country or Region Origin	:	China

在用水效益標籤上展示的標誌 <i>Symbolic Presentation on the Water Efficiency Label</i>	:	 滴水點 <i>Water droplet(s)</i>
用水效益級別 <i>Water Efficiency Grade</i>	:	1
耗水量 <i>Water Consumption</i>	:	7.4 公升/分鐘 <i>litres/minute</i>

簽發日期:
Date of Issue: 12 June 2018

 水務署
Water Supplies Department



水務署署長(周世威代行)
for Director of Water Supplies